

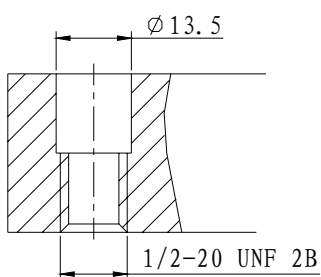
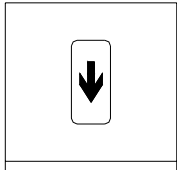
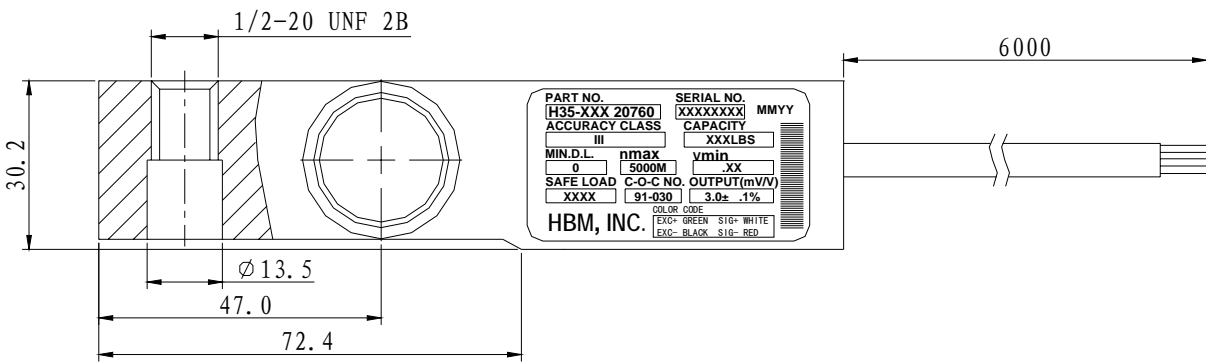
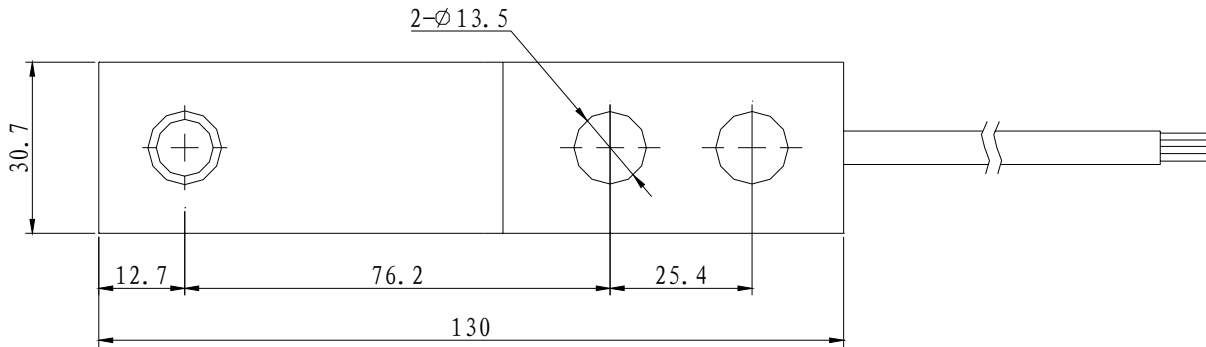
## 1. 1-H35...-1 Technical data:

Technical data	Unit	H35
额定载荷 Emax (Max. capacity)	lbs	500,1K,2.5K,4K,5K
灵敏度 (Sensitivity)	mV/V	3.0
灵敏度误差 (Sensitivity tolerance)	mV/V	±0.00300
温度对零点影响 (TC Zero) (Temperature effect on on output)	% of Cn/10K	±0.0140
温度对灵敏度影响 (TC Span) (Temperature effect on on output)	% of Cn/10K	±0.0170
非线性误差 (Non-linearity)	% of Cn	±0.0170
滞后误差 (Hysteresis error)	% of Cn	±0.0170
蠕变及蠕变恢复 (30mins) (Creep、MDLR)	%/30min	±0.0300
零点平衡 (Zero balance)	mV/V	0±0.03
输入电阻 (Input resistance)	Ω	>350
输出电阻 (Output resistance)	Ω	350±2
参考电压 (Nominal Excitation Voltage)	V	5
最大工作电压 (Maximum Excitation Voltage)	V	15
绝缘电阻 (Insulation resistance)	G Ω/100V	>5
额定温度范围 (Compensated temperature rang)	℃	-10~+40
工作温度范围 Service temperature range	℃	-30~+70
存储温度范围 Storage temperature range	℃	-50~+85
安全承载 (Safe load limit )	% of Emax	150
极限侧载 (Lateral load limit)	% of Emax	100
破坏载荷 (Breaking load)	% of Emax	300
最大载荷下变形量 (Deflection at Max. capacity), approx.	mm	0.5
重量 (Weight, approx)	kg	0.9
保护等级 (IP)		IP68
Material: 弹性体 (Measuring element) 电缆连接 (Cable fitting) Cable-sheath		Stainless steel Stainless steel/Sealing:Viton PVC

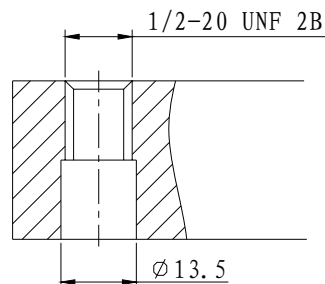
## 2. 1-H35...-1 Part Number Description

Part Number	Description	Detailed description
1-H35AN5/500-1	H35-500-20760	HERMETIC L/C, 500, 3MV/V, 1/2-20 THD
1-H35BN5/500-1	H35-500-20763	HERMETIC L/C, 500, 3MV/V, 1/2-20 REV THD
1-H35AN5/1K-1	H35-1K-20760	HERMETIC L/C, 1K, 3MV/V, 1/2-20 THD
1-H35BN5/1K-1	H35-1K-20763	HERMETIC L/C, 1K, 3MV/V, 1/2-20 REV THD
1-H35AN5/2.5K-1	H35-2.5K-20760	HERMETIC L/C, 2.5K, 3MV/V, 1/2-20 THD
1-H35BN5/2.5K-1	H35-2.5K-20763	HERMETIC L/C, 2.5K,3MV/V, 1/2-20 REV THD
1-H35AN5/4K-1	H35-4K-20760	HERMETIC L/C, 4K, 3MV/V, 1/2-20 THD
1-H35BN5/4K-1	H35-4K-20763	HERMETIC L/C, 4K, 3MV/V, 1/2-20 REV THD
1-H35AN5/5K-1	H35-5KSE-20760	HERMETIC L/C, 5K, 3MV/V, 1/2-20 THD
1-H35BN5/5K-1	H35-5KSE-20763	HERMETIC L/C, 5K, 3MV/V, 1/2-20 REV THD

## 3. 1-H35...-1 Mounting dimension:



H35-500~5KSE-20760



H35-500~5KSE-20763

### Cable:

Shielded 4-core round cable(19/0.127mm) with PVC-jacket

### Wiring code:

- Excitation voltage + : green
- Signal+ : white
- Signal - : red
- Excitation voltage - : black
- Shield: Yellow, floating

## 4. Label:

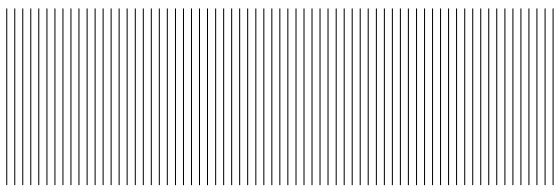
### 4.1 Type label

PART NO.		SERIAL NO.		MMYY
H35-XXX 20760		XXXXXXXXXX		
ACCURACY CLASS		CAPACITY		
III		XXXLBS		
MIN.D.L.	n <sub>max</sub>	V <sub>min</sub>		
0	5000M	.XX		
SAFE LOAD	C-O-C NO.	OUTPUT(mV/V)		
XXXX	91-030	3.0± .1%		
HBM, INC.				
COLOR CODE				
EXC+ GREEN		SIG+ WHITE		
EXC- BLACK		SIG- RED		

H35-XXX-20760 , H35-XXX-20763


Type	PART NO.	CAPACITY	vmin	SAFE LOAD
H35-500-20760	H35-500 20760	500	.05	750
H35-500-20763	H35-500 20763	500	.05	750
H35-1K-20760	H35-1K 20760	1K	.10	1500
H35-1K-20763	H35-1K 20763	1K	.10	1500
H35-2.5K-20760	H35-2.5K 20760	2.5K	.25	3750
H35-2.5K-20763	H35-2.5K 20763	2.5K	.25	3750
H35-4K-20760	H35-4K 20760	4K	.40	6000
H35-4K-20763	H35-4K 20763	4K	.40	6000
H35-5KSE-20760	H35-5KSE 20760	5K	.50	7500
H35-5KSE-20763	H35-5KSE 20763	5K	.50	7500

### 4.2 Serial number label




**F.-No.: xxxxxxxx**

## 4.3 Individual package label

<b>1-H35AN5/2.5K-1</b>	
Cust. No.	Prod. 123456789
	No.
Ser. No. 123456789012345678	
No.	

## 4.4 Outer package label

Hottinger Baldwin Measurement (Suzhou) Ltd. 106 Hengshan Road, Suzhou Jiangsu, P.R. China 215009		
<b>1-H35AN5/2.5K-1</b>		
TYPE: H35-2.5K-20760		
PCS 1234	<div style="border: 1px solid black; width: 100px; height: 100px; display: flex; align-items: center; justify-content: center;">SEAL</div>	
PO 1234567890		
No.		
PACKING DATE: YYYY-MM-DD		

Order P/N	Type
1-H35AN5/500-1	H35-500-20760
1-H35BN5/500-1	H35-500-20763
1-H35AN5/1K-1	H35-1K-20760
1-H35BN5/1K-1	H35-1K-20763
1-H35AN5/2.5K-1	H35-2.5K-20760
1-H35BN5/2.5K-1	H35-2.5K-20763
1-H35AN5/4K-1	H35-4K-20760
1-H35BN5/4K-1	H35-4K-20763
1-H35AN5/5K-1	H35-5KSE-20760
1-H35BN5/5K-1	H35-5KSE-20763

**Primax Com. Serv. em Balanças Ltda.**  
**www.primaxbalancas.com.br**  
**(11) 2591.2144 - Whatsapp (11) 9.4053.1221**  
**vendas@primaxbalancas.com.br**