

1 1-PW15AC3/XXKG-1 load cells Technical data:

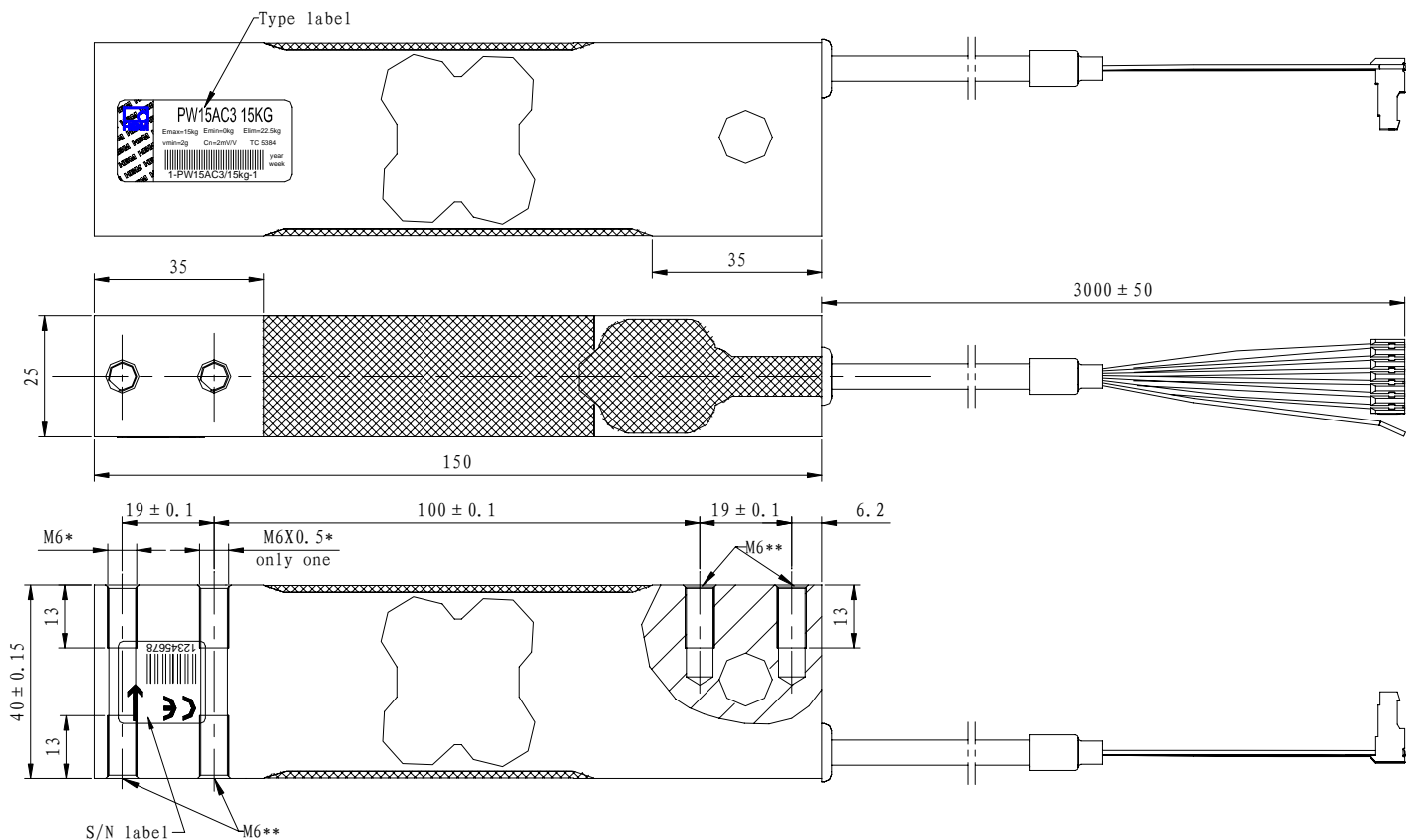
型号 (Type)		PW15A								
精确度等级 (Accuracy class)		C3								
Max. number of load cell intervals)		3000								
额定载荷 (Max. capacity)	kg	7.5	15	20	30	50	75	100	150	200
最小检定分度值 (v _{min})	g	1	2	5	5	10	10	20	20	50
温度对零点影响 (TC Zero)	% of Cn/10K	±0.0186	±0.0186	±0.0350	±0.0233	±0.0280	±0.0186	±0.0280	±0.0186	±0.0350
灵敏度 (Sensitivity)	mV/V	2.0±0.2								
零点平衡 (Zero balance)	mV/V	0±0.10								
温度对灵敏度影响 (TC Span)	% of Cn/10K									
+20°C~+40°C:		±0.0175								
-10°C~+20°C:		±0.0117								
非线性误差 (Non-linearity)	% of Cn	±0.0166								
滞后误差 (Hysteresis error)	% of Cn	±0.0166								
蠕变及蠕变恢复 (30mins Creep、DR)	%/30min	±0.0166								
秤盘面积 (Max. platform size)	mm	500×400								
四角误差 (Off center load error)	%	±0.0233								
输入电阻 (Input resistance)	Ω	380±15								
输出电阻 (Output resistance)	Ω	359±5								
参考电压 (Uref)	V	5								
工作电压范围 (Bu)	V	1...15								
绝缘电阻 (Insulation resistance)	GΩ/100V	>1								
额定温度范围 (Nominal temperature rang)	°C	-10~+40								
工作温度范围 (Service temperature range)	°C	-10~+50								
存储温度范围 (Storage temperature range)	°C	-25~+70								
安全承载(Safe load limit)	% of Emax	150								
极限承载(Breaking load limit)	% of Emax	300								
最大载荷下变形量 (Deflection at Max. capacity, approx.)	mm	<0.5								
重量 (Weight approx.)	kg	1								
材料(Material)		Stainless steel								
保护等级 (IP)		IP67								
Special advice		Materials and Production in complete accordance to the EC-type certificates PTB 01 ATEX 2208 and BVS 04 ATEX E 042 X and also documented according the audited quality management system PTB 05 ATEX Q005								

- 1) The sum of data for Non-linearity, Hysteresis error and TC Span meets the requirement of OIML 60
- 2) All relative error specified refer to Sensitivity. Eccentric error according to OIML R76 class, max.70% of max. permissible.

2 1-PW15AC3/XXKG-1 Part Number Description:

Part Number	Description	Detailed description
1-PW15AC3/7.5KG-1	PW15AC3/7.5kg-3000R8GJ	PW15A,C3,3000mm 6W cable with plug,ground,2.0mV/V
1-PW15AC3/15KG-1	PW15AC3/15kg-3000R8GJ	PW15A,C3,3000mm 6W cable with plug,ground,2.0mV/V
1-PW15AC3/20KG-1	PW15AC3/20kg-3000R8GJ	PW15A,C3,3000mm 6W cable with plug,ground,2.0mV/V
1-PW15AC3/30KG-1	PW15AC3/30kg-3000R8GJ	PW15A,C3,3000mm 6W cable with plug,ground,2.0mV/V
1-PW15AC3/50KG-1	PW15AC3/50kg-3000R8GJ	PW15A,C3,3000mm 6W cable with plug,ground,2.0mV/V
1-PW15AC3/75KG-1	PW15AC3/75kg-3000R8GJ	PW15A,C3,3000mm 6W cable with plug,ground,2.0mV/V
1-PW15AC3/100KG-1	PW15AC3/100kg-3000R8GJ	PW15A,C3,3000mm 6W cable with plug,ground,2.0mV/V
1-PW15AC3/150KG-1	PW15AC3/150kg-3000R8GJ	PW15A,C3,3000mm 6W cable with plug,ground,2.0mV/V
1-PW15AC3/200KG-1	PW15AC3/200kg-3000R8GJ	PW15A,C3,3000mm 6W cable with plug,ground,2.0mV/V

3 1-PW15AC3/XXKG-1 dimension:



* with max. capacity 200kg: $\phi 5.1$ ** with max. capacity 200kg: M8

Cable:

Shielded 6-core round cable(6x0.14mm²) with PVC-jacket

Wiring code:

Pin1 : Signal+ : white
 Pin2 : Signal - : red
 Pin3 : Excitation voltage - : black
 Pin4 : Excitation voltage + : blue
 Pin5 : Sensing lead+ : green

300700-7057EA

Page-2-

Pin6 : Sensing lead -: grey
 Shield: Yellow, connected to load cell body

Connector: CE 100F26-6(Pancon)

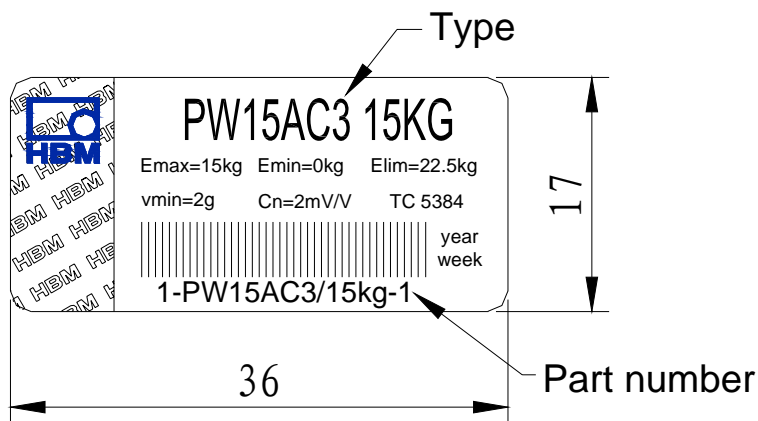
Mounting:

Max. capacity≤150kg: M6-10.9 screws with cylindrical screw, tightening torque 14N • m

Max. capacity=200kg: M8-10.9 screws with cylindrical screw, tightening torque 33N • m

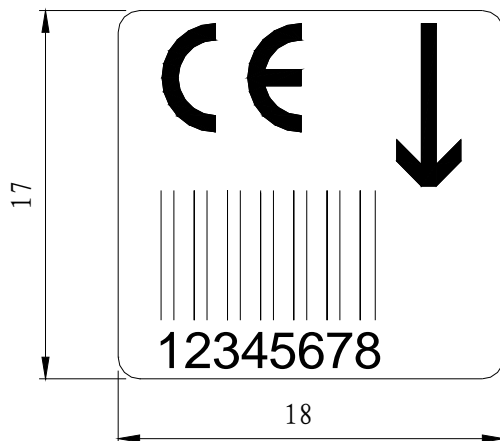
4 Label:

4.1 Type label

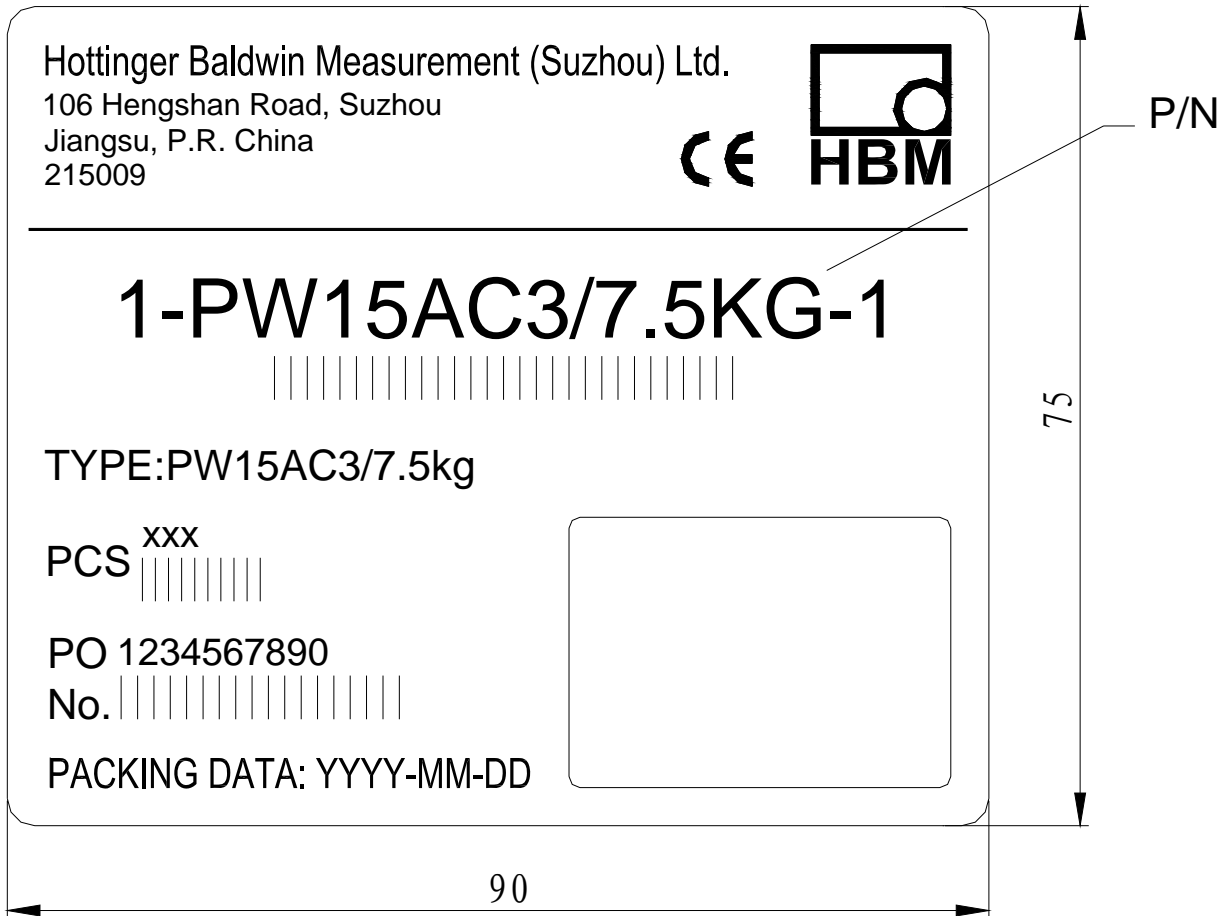


Part Number	Type	Emax	Elim	vmin
1-PW15AC3/7.5KG-1	PW15AC3 7.5KG	7.5kg	11.25kg	1g
1-PW15AC3/15KG-1	PW15AC3 15KG	15kg	22.5kg	2g
1-PW15AC3/20KG-1	PW15AC3 20KG	20kg	30kg	5g
1-PW15AC3/30KG-1	PW15AC3 30KG	30kg	45kg	5g
1-PW15AC3/50KG-1	PW15AC3 50KG	50kg	75kg	10g
1-PW15AC3/75KG-1	PW15AC3 75KG	75kg	112.5kg	10g
1-PW15AC3/100KG-1	PW15AC3 100KG	100kg	150kg	20g
1-PW15AC3/150KG-1	PW15AC3 150KG	150kg	225kg	20g
1-PW15AC3/200KG-1	PW15AC3 200KG	200kg	300kg	50g

4.2 S/N Label



4.3 Out package Label



P/N	PO NO.	Type	yyyy-mm-dd
1-PW15AC3/7.5KG-1	Purchase order number	PW15AC3/7.5kg	Packing date (year-month-day)
1-PW15AC3/15KG-1	Purchase order number	PW15AC3/15kg	
1-PW15AC3/20KG-1	Purchase order number	PW15AC3/20kg	
1-PW15AC3/30KG-1	Purchase order number	PW15AC3/30kg	
1-PW15AC3/50KG-1	Purchase order number	PW15AC3/50kg	
1-PW15AC3/75KG-1	Purchase order number	PW15AC3/75kg	
1-PW15AC3/100KG-1	Purchase order number	PW15AC3/100kg	
1-PW15AC3/150KG-1	Purchase order number	PW15AC3/150kg	
1-PW15AC3/200KG-1	Purchase order number	PW15AC3/200kg	

5. Packing

Quantity: per package 10 pcs.

Note: all packs must be filled with full quantity!

编制: _____

审核: _____

批准: _____