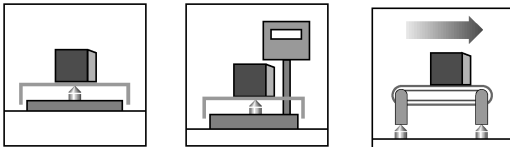


# PW15AH/...

## Single point load cell

### Special features

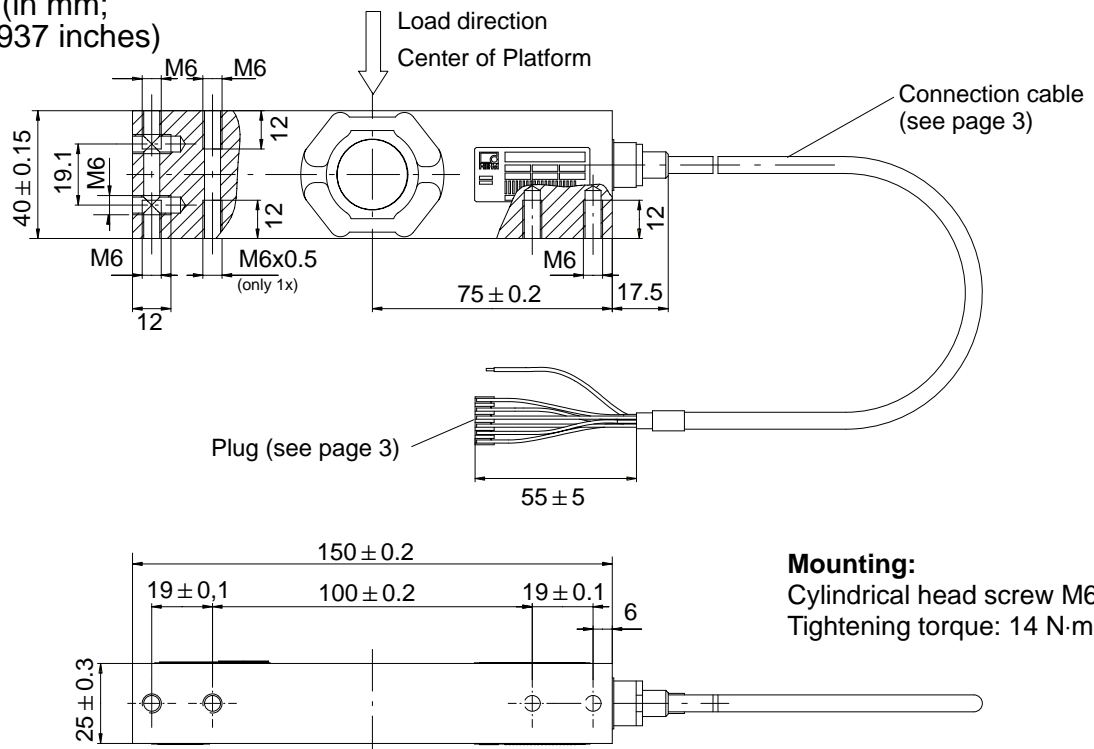
- Hermetically sealed (IP68; IP69K)
- Highest reliability
- Reduced minimum load cell verification interval ( $v_{min}$ ) for multi range applications
- Interchangeable to products of many manufacturers
- Stainless steel
- 6-wire-technology
- Integrated connection for protective cable conduit systems



### Optional:

- different cable lengths

Dimensions (in mm;  
1 mm= 0.03937 inches)



## Specifications

Type		PW15AH...			
Accuracy class <sup>1)</sup>		C3MR			
Max. number of load cell interv. (n <sub>LC</sub> )		3000			
Maximum capacity (E <sub>max</sub> )	kg	10	20	50	100
Min. LC verific. interval (v <sub>min</sub> )	g	1	2	5	10
Temperature effect on zero balance (TK <sub>0</sub> )	% of C <sub>n</sub> / 10 K	±0.0140	±0.0140	±0.0140	±0.0140
Maximum platform size	mm	500 x 400			
Sensitivity (C <sub>n</sub> )	mV/V	2.0 ± 0.2			
Zero balance		0 ± 0.1			
Temperature effect on sensitivity (TK <sub>C</sub> ) <sup>2)</sup>	% of C <sub>n</sub> / 10 K	±0.0175			
Temperature range: +20 ... +40°C [+68 ... +104°F] -10 ... +20°C [+14 ... +68°F]		±0.0117			
Hysteresis error (d <sub>hy</sub> ) <sup>2)</sup>	% of C <sub>n</sub>	±0.0166			
Non-linearity (d <sub>lin</sub> ) <sup>2)</sup>		±0.0166			
Minimum dead load output return (DR)		±0.0166			
Off center load error		±0.0233 <sup>3)</sup>			
Input resistance (R <sub>LC</sub> )	Ω	380 ± 15			
Output resistance (R <sub>0</sub> )		350 ± 10			
Reference excit. voltage (U <sub>ref</sub> )	V	5			
Nom. range of excit. volt. (B <sub>U</sub> )		1 ... 12			
Max. excitation voltage		15			
Insulation resist. (R <sub>is</sub> ) with 100 V <sub>DC</sub>	GΩ	> 1			
Nominal temp. range (B <sub>T</sub> )	°C [°F]	-10 ... +40 [+14 ... +104°F]			
Service temp. range (B <sub>tu</sub> )		-10 ... +50 [+14 ... +122°F]			
Storage temp. range (B <sub>tl</sub> )		-25 ... +70 [-13 ... +158°F]			
Safe load limit (E <sub>L</sub> ) <sup>*</sup>	% of E <sub>max</sub>	150			
<sup>*</sup> ) at max. eccentricity	mm	160			
Lateral load limit (E <sub>lq</sub> ), static	% of E <sub>max</sub>	300			
Breaking load (E <sub>d</sub> )		300			
Deflect. at E <sub>max</sub> (s <sub>nom</sub> ), app.	mm	< 0.5			
Weight (G), approx.	kg	1.0			
Protection class acc. to EN60529 (IEC529)		IP 68 (test conditions 100 h at 1 m water column); IP69K (water at high pressure, steam jet cleaning) <sup>4)</sup>			
Material: Measuring element		Stainless steel			
Coating		Silicone rubber			
Cable sheath		PVC			

<sup>1)</sup> According to OIML R60 with P<sub>LC</sub> = 0.7

<sup>2)</sup> The data for Non-linearity (d<sub>lin</sub>), Hysteresis error (d<sub>hy</sub>) and Temperature effect on sensitivity (TK<sub>C</sub>) are typical values. The sum of these data meets the requirements according to OIML R60.

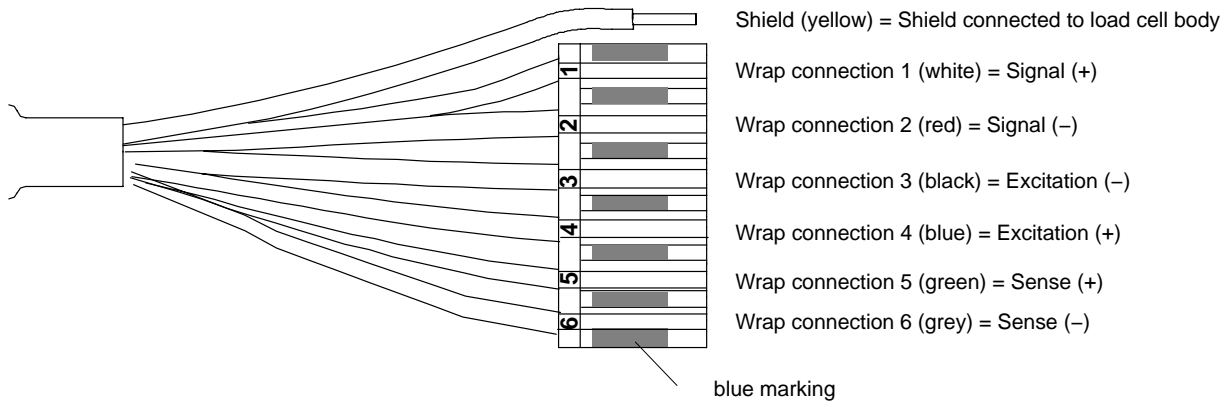
<sup>3)</sup> According to OIML R76

<sup>4)</sup> Following the definitions of the DIN 40050, part of 9, for road vehicles

## Wiring code

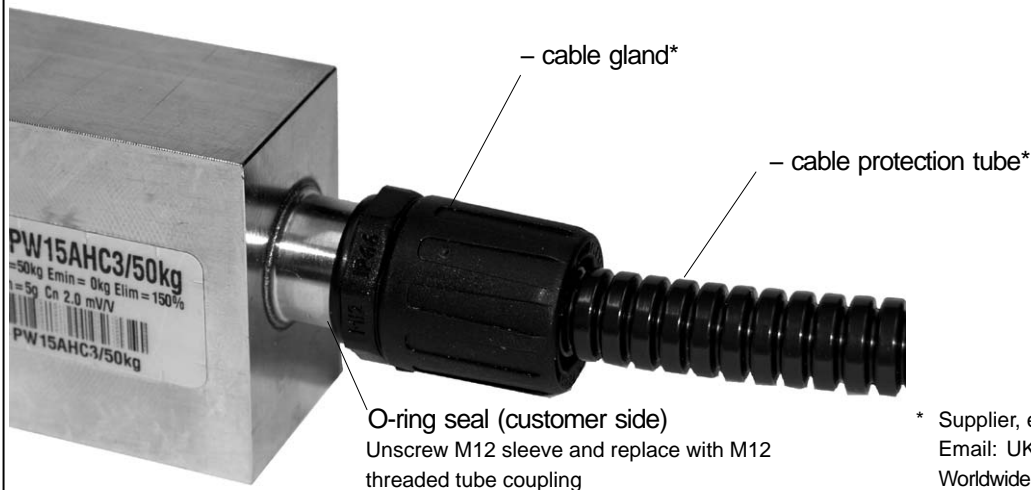
Connection with 6 wire cable (selectable cable length: 3 m; 6 m)

Detailed description of the Pancon plug (CE100F26-6), 6-pole



## Cable protection (to be implemented by the customer)

Protective cable conduit system\*, consisting of:



\* Supplier, e.g. Comp. Flexicon,  
 Email: UK: sales@flexicon.uk.com  
 Worldwide: export@flexicon.uk.com

## Ordering codes

### PW15AH... (Stainless steel, hermetically sealed)

Type	PW15AH	
Accuracy	C3 (OIML)	
Note	Cable length 3m (6 wire)	
Capacity	Order no.	
10kg	1-PW15AHC3/10KG-1	
20kg	1-PW15AHC3/20KG-1	
50kg	1-PW15AHC3/50KG-1	
100kg	1-PW15AHC3/100KG-1	

### K-PW15AH... (Stainless steel, hermetically sealed), optional versions

Order no.		
<b>K-PW15AH</b>		
Code	Option 1: Mechanical version	
<b>N</b>	Standard	
Code	Option 2: Accuracy	
<b>C3</b>	C3 (OIML)	
<b>MR</b>	C3-MR (OIML)	
Code	Option 3: Capacity	
<b>10</b>	10kg	
<b>20</b>	20kg	
<b>50</b>	50kg	
<b>100</b>	100kg	
Code	Option 4: NN	
<b>N</b>	-	
Code	Option 5: Cable length	
<b>3</b>	3m	
<b>6</b>	6m	
Code	Option 6: Miscellaneous	
<b>N</b>	without	
<b>A</b>	2mV/V $\pm 0.1\%$ / 359 Ohms $\pm 0.3$ Ohms (aligned output, suitable for connection in parallel)	
<b>K-PW15AH</b> - <b>N</b> - <input type="checkbox"/> - <input type="checkbox"/> - <input type="checkbox"/> - <input type="checkbox"/> - <b>N</b> - <input type="checkbox"/> - <input type="checkbox"/>		

Modifications reserved.

All details describe our products in general form only. They are not to be understood as express warranty and do not constitute any liability whatsoever.

**Hottinger Baldwin Messtechnik GmbH**

Im Tiefen See 45, D-64293 Darmstadt, Germany  
 Tel.: +49 6151 8030; Fax: +49 6151 803 9100  
 E-mail: support@hbm.com www.hbm.com



measurement with confidence