

DATA SHEET



Document No. : DAT00400 Ver. :001

1. 1-SP4MC3MR/XXKG-1 Technical data:

技术参数 (Technical data)	单位 (Unit)	1-SP4MC3MR/XXKG-1													
精确度等级 (OIML R60)		C3MR													
额定载荷 Emax (Max. capacity)	kg	1	3	5	7	10	15	20	30	50	75	100	150	200	
最小检定分度值 (Vmin)	g	0.1	0.2	0.5	0.5	1	1	2	2	5	5	10	10	20	
温度对零点影响 (TC Zero)	% of Cn/10K	+0.0140	+0.0093	+0.0140	+0.0100	+0.0140	+0.0093	+0.0140	+0.0093	+0.0140	+0.0093	+0.0140	+0.0093	+0.0140	
灵敏度 (Sensitivity)	mV/V	2.0±10% (1kg 为: 1.8+15%/-10%)													
温度对灵敏度影响 (TC Span) ¹⁾	% of Cn/10K														
+20°C~+40°C:		±0.0170													
-10°C~+20°C:		±0.0110													
非线性误差 (Non-linearity) ¹⁾	% of Cn	±0.0166													
滞后误差 (Hysteresis error) ¹⁾	% of Cn	±0.0166													
蠕变/回零 (30mins Creep/DR)	% of Cn	±0.0166													
秤盘面积 (Max. platform size)	mm	300×300				450×450				600×600					
四角误差 (Eccentric error) ²⁾	% of Cn	±0.0233													
零点平衡 (Zero balance)	mV/V	0±0.1													
输入电阻 (Input resistance)	Ω	300~500													
输出电阻 (Output resistance)	Ω	330~430													
参考电压 (Uref)	V	5													
工作电压范围 (Bu)	V	1...12													
绝缘电阻 (Insulation resistance)	GΩ (100V)	>2													
额定温度范围 (Nominal temperature range)	°C	-10~+40													
工作温度范围 (Service temperature range)	°C	-10~+50													
存储温度范围 Storage temperature range	°C	-25~+70													
安全承载 (Safe load limit)	% of Emax	150													
极限承载 (Breaking load limit)	% of Emax	300													
最大载荷下变形量 (Deflection at Max. capacity, approx.)	mm	0.46	0.28	0.25	0.22	0.2	0.19	0.18	0.17	0.17	0.16	0.16	0.17	0.18	
材料 (Material)		Aluminum													
保护等级 (IP)		IP67													
应变片要求 (Strain gage requirement)		Modco/PEEK													

1) The sum of data for Non-linearity, Hysteresis error and TC Span meets the requirement of OIML R60

2) All relative error specified refer to sensitivity. Eccentric error according to OIML R76 class, max.70% of max. permissible

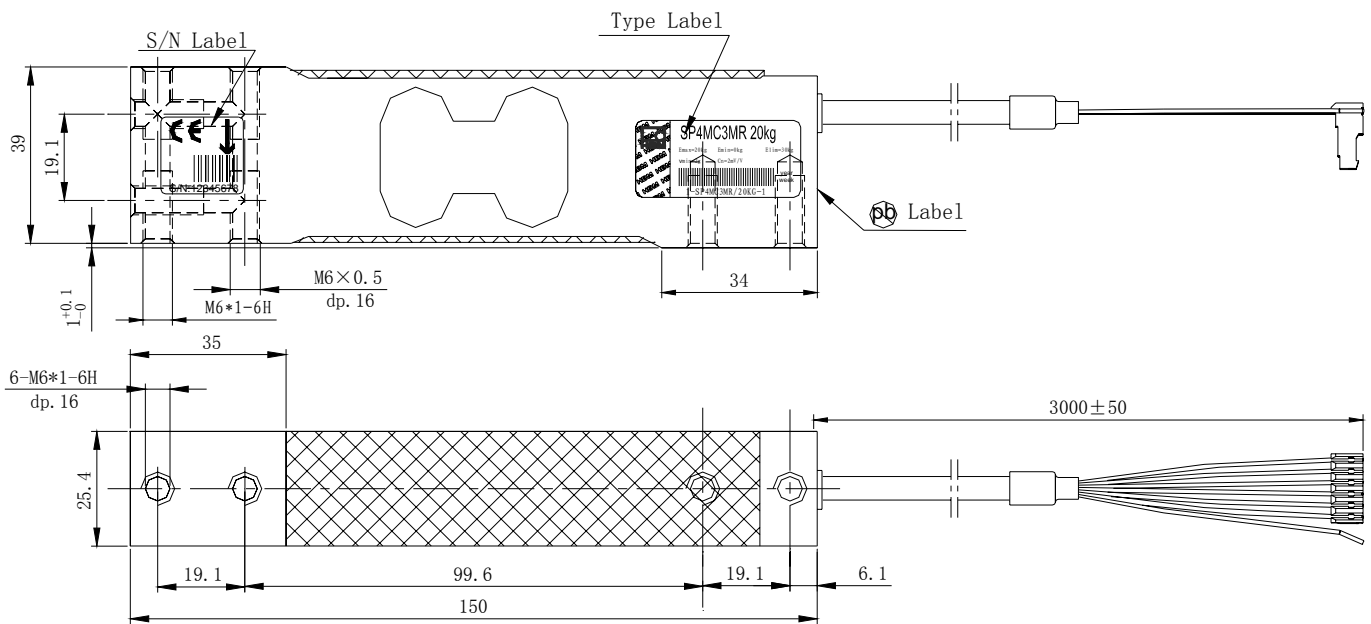
300700-7078EA

Page-1-

2. 1-SP4MC3MR/XXKG-1 Part Number Description:

Part Number	Description	Detailed description
1-SP4MC3MR/1KG-1	SP4MC3MR/1kg-3000R8GJ	SP4M,C3MR,3000mm 6W cable with plug, ground,1.8mV/V,Modco
1-SP4MC3MR/3KG-1	SP4MC3MR/3kg-3000R8GJ	SP4M,C3MR,3000mm 6W cable with plug, ground,2.0mV/V,Modco
1-SP4MC3MR/5KG-1	SP4MC3MR/5kg-3000R8GJ	SP4M,C3MR,3000mm 6W cable with plug, ground,2.0mV/V,Modco
1-SP4MC3MR/7KG-1	SP4MC3MR/7kg-3000R8GJ	SP4M,C3MR,3000mm 6W cable with plug, ground,2.0mV/V,Modco
1-SP4MC3MR/10KG-1	SP4MC3MR/10kg-3000R8GJ	SP4M,C3MR,3000mm 6W cable with plug, ground,2.0mV/V,Modco
1-SP4MC3MR/15KG-1	SP4MC3MR/15kg-3000R8GJ	SP4M,C3MR,3000mm 6W cable with plug, ground,2.0mV/V,Modco
1-SP4MC3MR/20KG-1	SP4MC3MR/20kg-3000R8GJ	SP4M,C3MR,3000mm 6W cable with plug, ground,2.0mV/V,Modco
1-SP4MC3MR/30KG-1	SP4MC3MR/30kg-3000R8GJ	SP4M,C3MR,3000mm 6W cable with plug, ground,2.0mV/V,Modco
1-SP4MC3MR/50KG-1	SP4MC3MR/50kg-3000R8GJ	SP4M,C3MR,3000mm 6W cable with plug, ground,2.0mV/V,Modco
1-SP4MC3MR/75KG-1	SP4MC3MR/75kg-3000R8GJ	SP4M,C3MR,3000mm 6W cable with plug, ground,2.0mV/V,Modco
1-SP4MC3MR/100KG-1	SP4MC3MR/100kg-3000R8GJ	SP4M,C3MR,3000mm 6W cable with plug, ground,2.0mV/V,Modco
1-SP4MC3MR/150KG-1	SP4MC3MR/150kg-3000R8GJ	SP4M,C3MR,3000mm 6W cable with plug, ground,2.0mV/V,Modco
1-SP4MC3MR/200KG-1	SP4MC3MR/200kg-3000R8GJ	SP4M,C3MR,3000mm 6W cable with plug, ground,2.0mV/V,Modco

3. 1-SP4MC3MR/XXKG-1 Mounting dimension:



Cable:

Shielded 6-core round cable(AWG24) with PVC-jacket

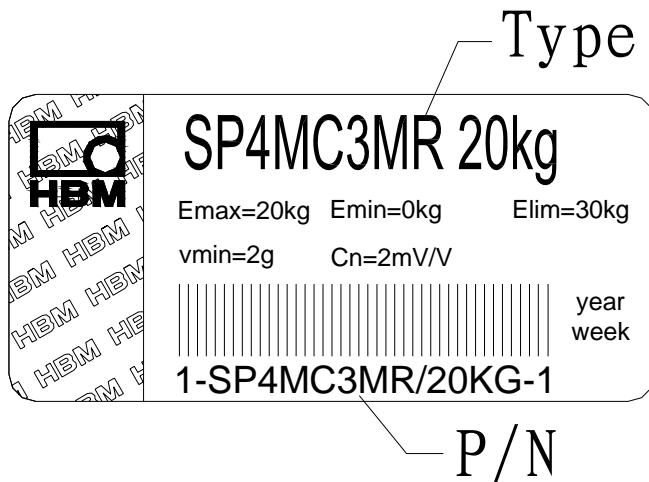
Wiring code:

Pin1 :	Signal+:	white
Pin2 :	Signal - :	red
Pin3 :	Excitation voltage -:	black
Pin4 :	Excitation voltage + :	blue
Pin5 :	Sensing lead+:	green
Pin6 :	Sensing lead -:	grey
	Shield:	Yellow, connected to load cell

Connector: CE 100F26-6(Panduit)

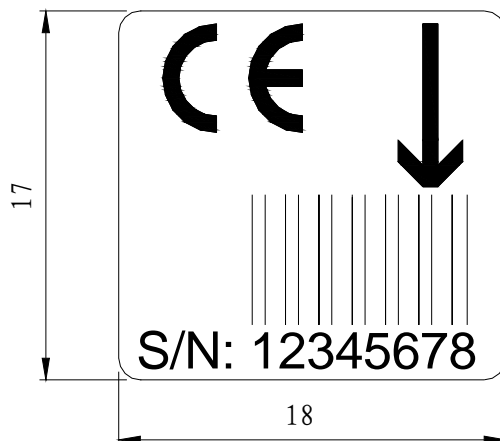
4. Label:

4.1 Type label



Part Number	Type	Emax	Elim	Vmin	Cn
1-SP4MC3MR/1KG-1	SP4MC3MR 1kg	1kg	1.5kg	0.1g	1.8mV/V
1-SP4MC3MR/3KG-1	SP4MC3MR 3kg	3kg	4.5kg	0.2g	2mV/V
1-SP4MC3MR/5KG-1	SP4MC3MR 5kg	5kg	7.5kg	0.5g	2mV/V
1-SP4MC3MR/7KG-1	SP4MC3MR 7kg	7kg	10.5kg	0.5g	2mV/V
1-SP4MC3MR/10KG-1	SP4MC3MR 10kg	10kg	15kg	1g	2mV/V
1-SP4MC3MR/15KG-1	SP4MC3MR 15kg	15kg	22.5kg	1g	2mV/V
1-SP4MC3MR/20KG-1	SP4MC3MR 20kg	20kg	30kg	2g	2mV/V
1-SP4MC3MR/30KG-1	SP4MC3MR 30kg	30kg	45kg	2g	2mV/V
1-SP4MC3MR/50KG-1	SP4MC3MR 50kg	50kg	75kg	5g	2mV/V
1-SP4MC3MR/75KG-1	SP4MC3MR 75kg	75kg	112.5kg	5g	2mV/V
1-SP4MC3MR/100KG-1	SP4MC3MR 100kg	100kg	150kg	10g	2mV/V
1-SP4MC3MR/150KG-1	SP4MC3MR 150kg	150kg	225kg	10g	2mV/V
1-SP4MC3MR/200KG-1	SP4MC3MR 200kg	200kg	300kg	20g	2mV/V

4.2 S/N Label



DATA SHEET



Document No. : DAT00400 Ver. :001

4.3 Out package Label



Order P/N	Altern P/N	PO NO.	Type	yyyy-mm-dd
1-SP4MC3MR/1KG-1	1-SP4MC3MR/1KG-1	Purchase order number	SP4MC3MR/1kg	Packing date (year-month-day)
1-SP4MC3MR/3KG-1	1-SP4MC3MR/3KG-1	Purchase order number	SP4MC3MR/3kg	
1-SP4MC3MR/5KG-1	1-SP4MC3MR/5KG-1	Purchase order number	SP4MC3MR/5kg	
1-SP4MC3MR/7KG-1	1-SP4MC3MR/7KG-1	Purchase order number	SP4MC3MR/7kg	
1-SP4MC3MR/10KG-1	1-SP4MC3MR/10KG-1	Purchase order number	SP4MC3MR/10kg	
1-SP4MC3MR/15KG-1	1-SP4MC3MR/15KG-1	Purchase order number	SP4MC3MR/15kg	
1-SP4MC3MR/20KG-1	1-SP4MC3MR/20KG-1	Purchase order number	SP4MC3MR/20kg	
1-SP4MC3MR/30KG-1	1-SP4MC3MR/30KG-1	Purchase order number	SP4MC3MR/30kg	
1-SP4MC3MR/50KG-1	1-SP4MC3MR/50KG-1	Purchase order number	SP4MC3MR/50kg	
1-SP4MC3MR/75KG-1	1-SP4MC3MR/75KG-1	Purchase order number	SP4MC3MR/75kg	
1-SP4MC3MR/100KG-1	1-SP4MC3MR/100KG-1	Purchase order number	SP4MC3MR/100kg	
1-SP4MC3MR/150KG-1	1-SP4MC3MR/150KG-1	Purchase order number	SP4MC3MR/150kg	
1-SP4MC3MR/200KG-1	1-SP4MC3MR/200KG-1	Purchase order number	SP4MC3MR/200kg	

编制: _____

审核: _____

批准: _____

300700-7078EA

Page-4-