

## 1. 1-PW12CC3/xxKGU-1 Technical data:

| 技术参数<br>(Technical data)                        | 单位<br>(Unit) | 1-PW12CC3/xxKGU-1 |         |         |         |         |         |         |         |         |         |
|---|--------------|-------------------|---------|---------|---------|---------|---------|---------|---------|---------|---------|
| 精确度等级 (OIML R60)                                |              | C3                |         |         |         |         |         |         |         |         |         |
| 额定载荷 Emax (Max. capacity)                       | kg           | 50                | 75      | 100     | 150     | 200     | 250     | 300     | 500     | 635     | 1000    |
| 最小检定分度值 (vmin)                                  | g            | 10                | 10      | 20      | 20      | 50      | 50      | 50      | 100     | 100     | 200     |
| 温度对零点影响 (TC Zero)                               | % of Cn/10K  | ±0.0280           | ±0.0186 | ±0.0280 | ±0.0186 | ±0.0350 | ±0.0280 | ±0.0233 | ±0.0280 | ±0.0221 | ±0.0280 |
| 灵敏度 (Sensitivity)                               | mV/V         | 2.0               |         |         |         |         |         |         |         |         |         |
| 灵敏度误差 (Sensitivity tolerance)                   | %            | ±0.1%             |         |         |         |         |         |         |         |         |         |
| 温度对灵敏度影响 (TC Span)                              | % of Cn/10K  |                   |         |         |         |         |         |         |         |         |         |
| +20℃~+40℃:                                      |              | ±0.0175           |         |         |         |         |         |         |         |         |         |
| -10℃~+20℃:                                      |              | ±0.0117           |         |         |         |         |         |         |         |         |         |
| 非线性误差 (Non-linearity)                           | % of Cn      | ±0.0166           |         |         |         |         |         |         |         |         |         |
| 滞后误差 (Hysteresis error)                         | % of Cn      | ±0.0166           |         |         |         |         |         |         |         |         |         |
| 蠕变 (Creep/30mins)                               | % of Cn      | ±0.0245           |         |         |         |         |         |         |         |         |         |
| 蠕变恢复(BND/30mins)                                | % of Cn      | ±0.0166           |         |         |         |         |         |         |         |         |         |
| 秤盘面积 (Max. platform size)                       | mm           | 800×800           |         |         |         |         |         |         |         |         |         |
| 四角误差 (Eccentric error)                          | %            | ±0.0233           |         |         |         |         |         |         |         |         |         |
| 零点平衡 (Zero balance)                             | mV/V         | 0±0.10            |         |         |         |         |         |         |         |         |         |
| 输入电阻 (Input resistance)                         | Ω            | 300~500           |         |         |         |         |         |         |         |         |         |
| 输出电阻 (Output resistance)                        | Ω            | 400±0.3           |         |         |         |         |         |         |         |         |         |
| 参考电压 (Uref)                                     | V            | 5                 |         |         |         |         |         |         |         |         |         |
| 工作电压范围 (Bu)                                     | V            | 1...15            |         |         |         |         |         |         |         |         |         |
| 绝缘电阻 (Insulation resistance)                    | GΩ/100V      | >2                |         |         |         |         |         |         |         |         |         |
| 额定温度范围<br>Nominal temperature range             | ℃            | -10~+40           |         |         |         |         |         |         |         |         |         |
| 工作温度范围<br>Service temperature range             | ℃            | -10~+50           |         |         |         |         |         |         |         |         |         |
| 存储温度范围<br>Storage temperature range             | ℃            | -25~+70           |         |         |         |         |         |         |         |         |         |
| 安全承载 (Safe load limit)                          | % of Emax    | 150               |         |         |         |         |         |         |         |         |         |
| 极限承载 (Breaking load limit)                      | % of Emax    | 300               |         |         |         |         |         |         |         |         |         |
| 最大载荷下变形量 (Deflection at Max. capacity), approx. | mm           | <0.5              |         |         |         |         |         |         |         |         |         |
| 重量 (Weight approx.)                             | kg           | 2.4               |         |         |         |         |         |         |         |         |         |
| 材料 (Material)                                   |              | Aluminum          |         |         |         |         |         |         |         |         |         |
| 保护等级 (IP)                                       |              | IP67              |         |         |         |         |         |         |         |         |         |
| 应变片要求<br>Strain gage requirement                |              | Modco/PEEK        |         |         |         |         |         |         |         |         |         |

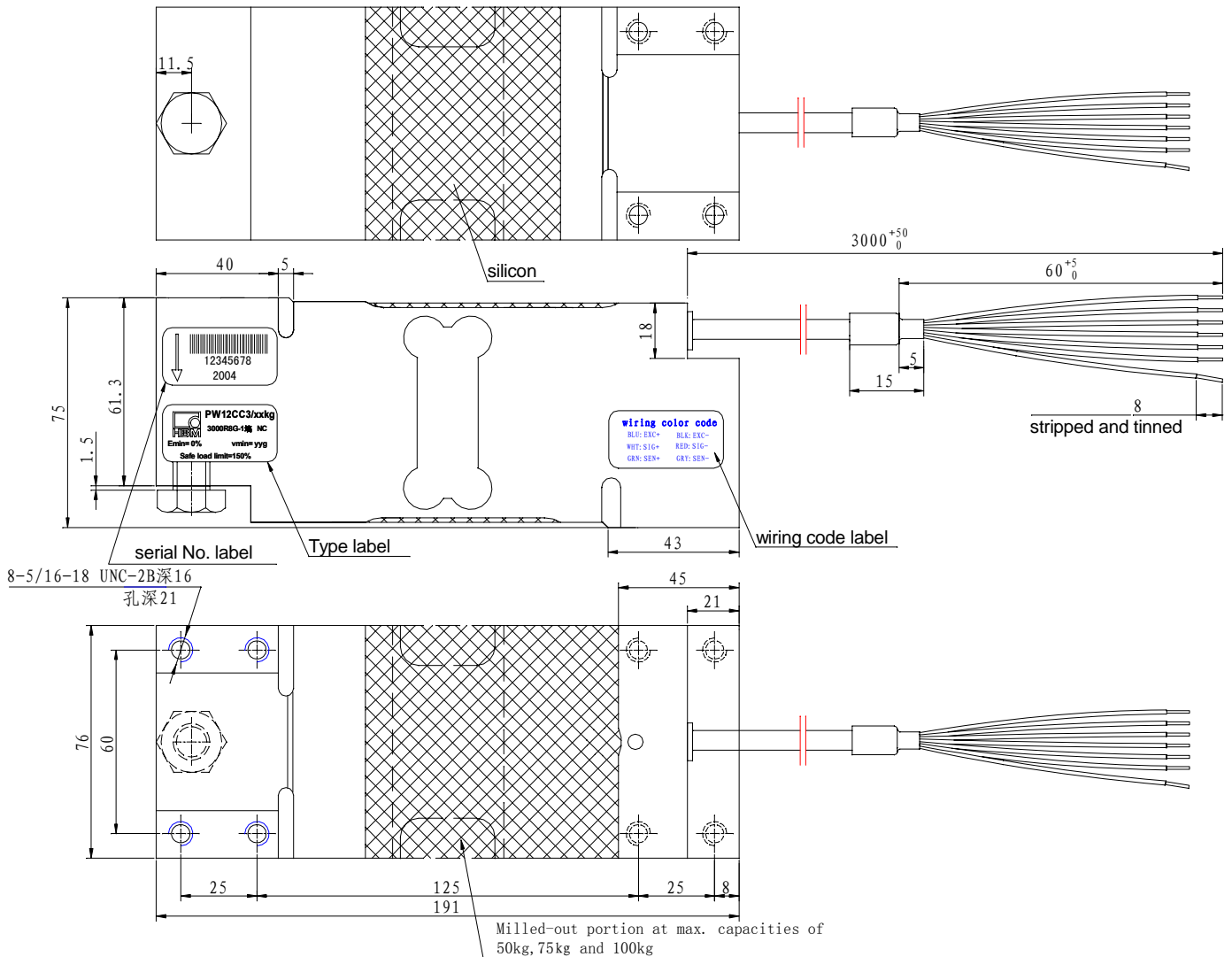
1) The sum of data for Non-linearity, Hysteresis error and TC Span meets the requirement of OIML 60

2) All relative error specified refer to Sensitivity. Eccentric error according to OIML R76 class,max.70% of max.permmissible

## 2. 1-PW12CC3/xxKGU-1 Part Number Description:

| Part Number        | Description                  | Detailed description  |
|--------------------|------------------------------|---|
| 1-PW12CC3/50KGU-1  | PW12CC3/50kg-3000R8G-1‰UNC   | PW12C, C3,3000mm 6W cable W/O plug,ground,0.1%Cn,5/16thread,Modco |
| 1-PW12CC3/75KGU-1  | PW12CC3/75kg-3000R8G-1‰UNC   | PW12C, C3,3000mm 6W cable W/O plug,ground,0.1%Cn,5/16thread,Modco |
| 1-PW12CC3/100KGU-1 | PW12CC3/100kg-3000R8G-1‰UNC  | PW12C, C3,3000mm 6W cable W/O plug,ground,0.1%Cn,5/16thread,Modco |
| 1-PW12CC3/150KGU-1 | PW12CC3/150kg-3000R8G-1‰UNC  | PW12C, C3,3000mm 6W cable W/O plug,ground,0.1%Cn,5/16thread,Modco |
| 1-PW12CC3/200KGU-1 | PW12CC3/200kg-3000R8G-1‰UNC  | PW12C, C3,3000mm 6W cable W/O plug,ground,0.1%Cn,5/16thread,Modco |
| 1-PW12CC3/250KGU-1 | PW12CC3/250kg-3000R8G-1‰UNC  | PW12C, C3,3000mm 6W cable W/O plug,ground,0.1%Cn,5/16thread,Modco |
| 1-PW12CC3/300KGU-1 | PW12CC3/300kg-3000R8G-1‰UNC  | PW12C, C3,3000mm 6W cable W/O plug,ground,0.1%Cn,5/16thread,Modco |
| 1-PW12CC3/500KGU-1 | PW12CC3/500kg-3000R8G-1‰UNC  | PW12C, C3,3000mm 6W cable W/O plug,ground,0.1%Cn,5/16thread,Modco |
| 1-PW12CC3/635KGU-1 | PW12CC3/635kg-3000R8G-1‰UNC  | PW12C, C3,3000mm 6W cable W/O plug,ground,0.1%Cn,5/16thread,Modco |
| 1-PW12CC3/1TU-1    | PW12CC3/1000kg-3000R8G-1‰UNC | PW12C, C3,3000mm 6W cable W/O plug,ground,0.1%Cn,5/16thread,Modco |

## 3. 1-PW12CC3/xxKGU-1 Mounting dimension:



**Cable:**

Shielded 6-core round cable(6x0.14mm<sup>2</sup>) with PVC-jacket

**Wiring code:**

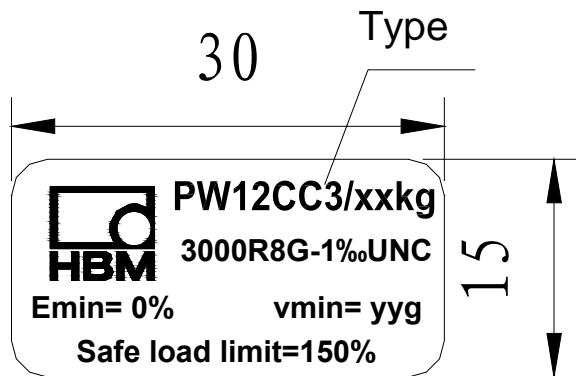
Excitation voltage + : blue  
 Sensing lead + : green  
 Signal+ : white  
 Signal - : red  
 Sensing lead - : gray  
 Excitation voltage - : black  
 Shield: Yellow, connected to load cell

**Mounting:**

Socket head cap screw M8-10.9(635kg:M8-12.9)  
 Tightening torque:35Nm (635kg:42Nm)

**4. Label :**

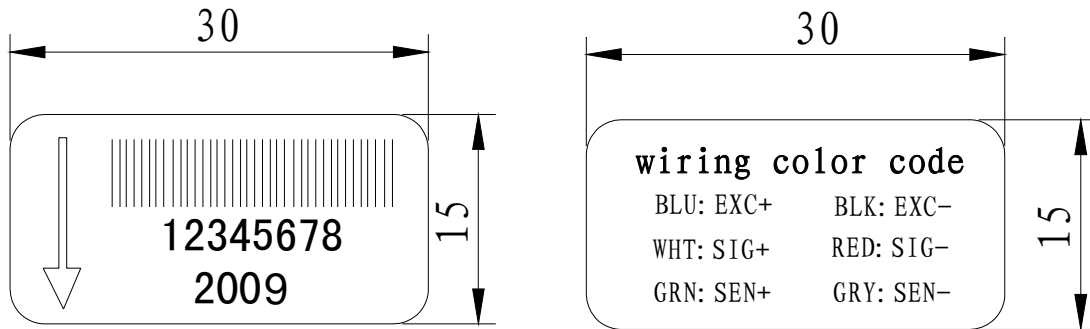
**4.1 Type label**



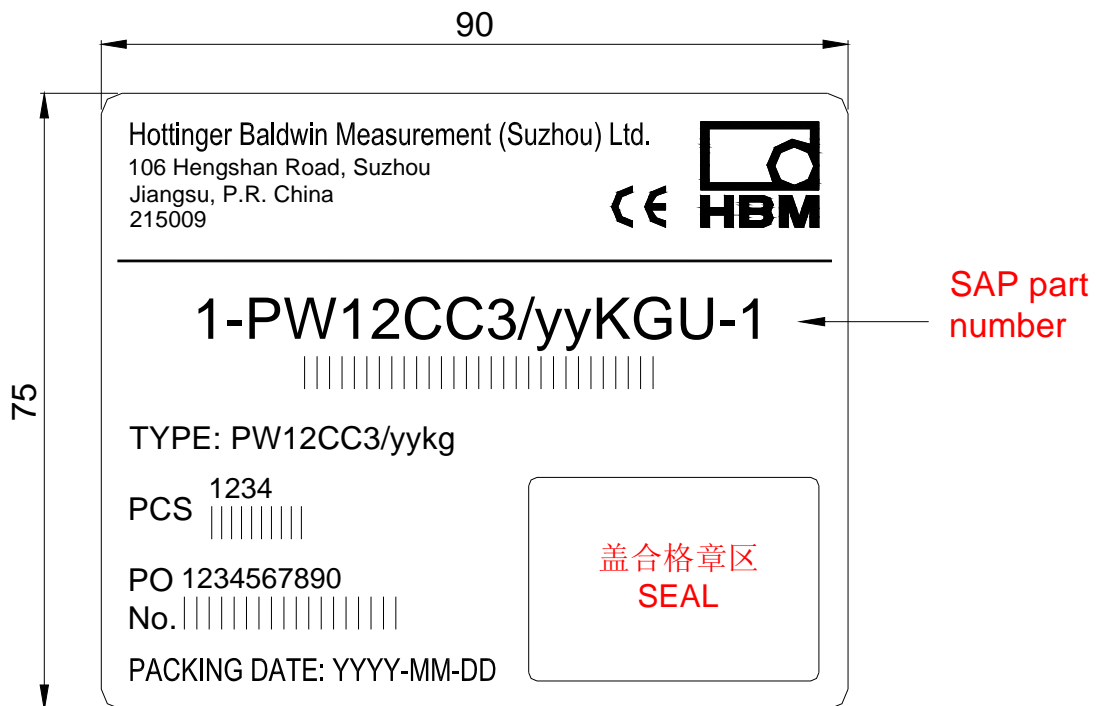
| Part Number        | xx    | yy  |
|--------------------|-------|-----|
| 1-PW12CC3/50KGU-1  | 50    | 10  |
| 1-PW12CC3/75KGU-1  | 75    | 10  |
| 1-PW12CC3/100KGU-1 | 100   | 20  |
| 1-PW12CC3/150KGU-1 | 150   | 20  |
| 1-PW12CC3/200KGU-1 | 200   | 50  |
| 1-PW12CC3/250KGU-1 | 250   | 50  |
| 1-PW12CC3/300KGU-1 | 300   | 50  |
| 1-PW12CC3/500KGU-1 | 500   | 100 |
| 1-PW12CC3/635KGU-1 | 635   | 100 |
| 1-PW12CC3/1TU-1    | 1000* | 200 |

\*capacity 1000KG: Type--- PW12CC3 1000kg  
 Part number--- 1-PW12CC3/1TU-1

## 4.2 S/N Label and wiring color code label:



## 4.3 Package Label



| Part number        | yy   | PO NO.                | yyyy-mm-dd                       |
|--------------------|------|-----------------------|----------------------------------|
| 1-PW12CC3/50KGU-1  | 50   | Purchase order number | Packing date<br>(year-month-day) |
| 1-PW12CC3/75KGU-1  | 75   | Purchase order number |                                  |
| 1-PW12CC3/100KGU-1 | 100  | Purchase order number |                                  |
| 1-PW12CC3/150KGU-1 | 150  | Purchase order number |                                  |
| 1-PW12CC3/200KGU-1 | 200  | Purchase order number |                                  |
| 1-PW12CC3/250KGU-1 | 250  | Purchase order number |                                  |
| 1-PW12CC3/300KGU-1 | 300  | Purchase order number |                                  |
| 1-PW12CC3/500KGU-1 | 500  | Purchase order number |                                  |
| 1-PW12CC3/635KGU-1 | 635  | Purchase order number |                                  |
| 1-PW12CC3/1TU-1    | 1000 | Purchase order number |                                  |

编制:

审核:

批准: